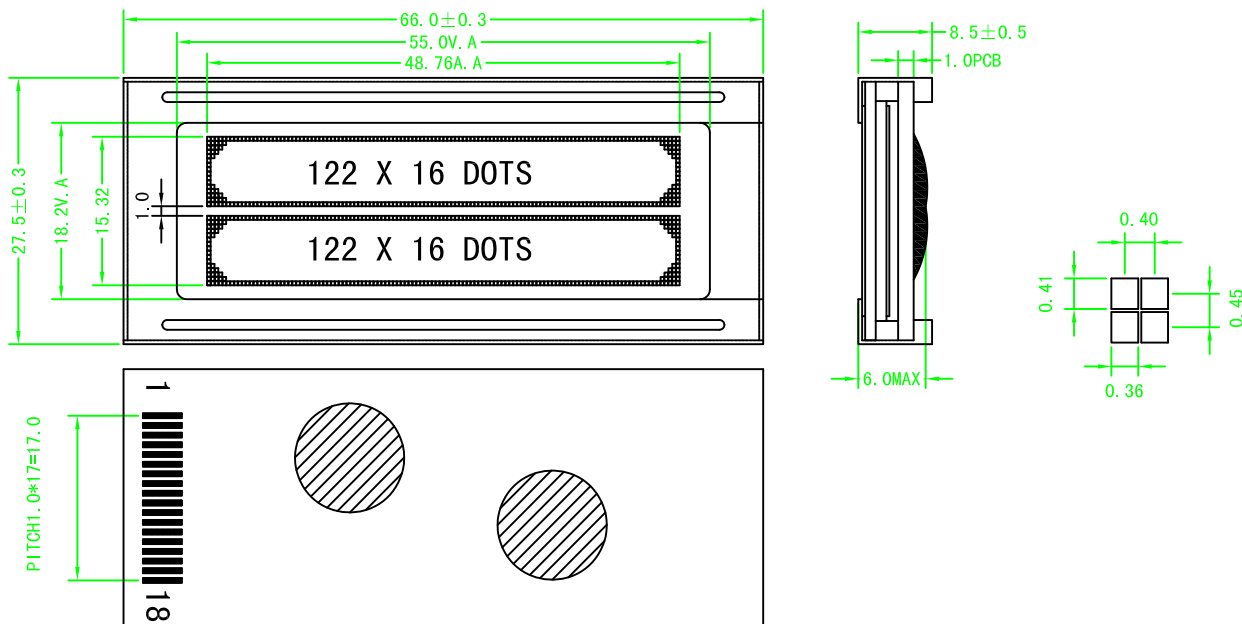
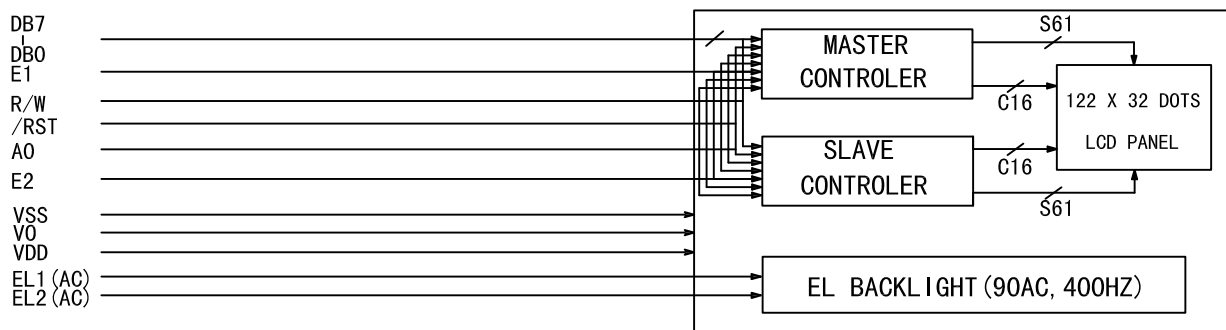




1.0 DIMENSIONAL DRAWING



2.0 BLOCK DIAGRAM & POWER SUPPLY



3.0 MECHANICAL SPECIFICATIONS & FEATURE

Item	Nominal Dimensions (mm)	Feature	
		LCD Type	STN
Module Size (W*H*T)	66.0 × 27.5 × 8.5	LCD Type	Yellow-green
View Area (W*H)	55.0 × 18.2	LCD Coloure	6 O'clock
Dot × Dot (W*H)	122 × 32	View Angle	Positive Type
Dot Pitch (W*H)	0.40 × 0.45	Display Type	Transflective
Dot Size (W*H)	0.36 × 0.41	Rear Polarizer	Operating Temperature
---	---	Operating Temperature	-10° C to +50° C
---	---	Storage Temperature	-20° C to +60° C
---	---	Backlight	LED (green)

4.0 ELECTRICAL CHARACTERISTICS

Item	Symbol	Test Condition	Min.	Typ.	Min.	Unit
Operating Voltage	Vdd	Ta=25° C	---	5.0	---	V
Operating Voltage For LCD	Vlcd	Ta=25° C	---	9.0	---	V
Supply Current	Idd	Ta=25° C, Vdd=3.0V	---	15	---	μA
Supply Current For Backlight	If	Ta=25° C, VAK=3.0V	---	---	---	mA

5.0 INTERFACE PIN CONNECTIONS

Pin No.	Symbol	Level	Description
1	VDD	5.0V	LCM Power Supply Positive Input Terminal
2	VSS	0V	LCM Power Supply Negative Input Terminal
3	V0	0V	LCD Driving Voltage Input Terminal
4	/RST	H→L, H	LCM Reset Signal Input Terminal
5	E1	H, L, F	LCM Enable Signal Input Terminal
6	E2	H, L, F	LCM Enable Signal Input Terminal
7	R/W	H/L	LCM Read/Write Signal Input Terminal
8	A0	H/L	LCM Comand/data Input Terminal
9-16	DB0-DB7	TRI-STATE	LCM 8-bits Data Input Terminal
17	A	5.0V	LED Backlight Power Supply Positive Input Terminal
18	K	0V	LED Backlight Power Supply Negative Input Terminal

NOTE: NO